

Quality, reliability and a reasonable price.

Our reels feature a totally enclosed, gasketed spring rewind mechanism for the ultimate in protection from the elements. When paying out cable, a sturdy latching system holds the cable at the desired length. A gentle tug on the cable releases the latch, and the cable retracts back onto the reel.

Reel construction is of galvanized/zinc plated steel with a durable baked enamel finish. All bearing surfaces are permanently lubricated. Stainless steel springs are available when specified. Various combinations of cable, end fittings and color are available to custom tailor a reel to your specific requirements!

STANDARD MODELS

- DMI-50CC 50' Cable Extension** 3/32" dia. 7x7 galvanized cable, yellow Hytrel jacket/100 amp copper clamp
- DMI-75CC 75' Cable Extension** 3/32" dia. 7x7 galvanized cable, yellow Hytrel jacket/100 amp copper clamp
- DMI-100CC 100' Cable Extension** 3/32" dia. 7x7 galvanized cable, clear PVC jacket/100 amp copper clamp

Cable Options

- 3/32" 7x19 stainless steel cable, non-jacketed
- 3/32" 7x7 galv. steel cable, clear PVC jacketed to 1/8"
- 3/32" 7x7 galv. steel cable, yellow Hytrel jacketed to 5/32"
- 3/32" 7x7 stainless cable, yellow Hytrel jacketed to 5/32"
- Wye Branch cable assemblies made to your requirements.

All of our reel components are treated for corrosion resistance. Exterior can be painted green, red, or yellow to your specifications. Baked enamel green is standard.

Military Specification: A-A-50696

Electrical Resistance: 10 ohms max. (clamp to mounting base).

Life Cycle: Tested to 5,000 cycles (full extension and retraction).

Operating Temperature Range: -65° F to 125° F

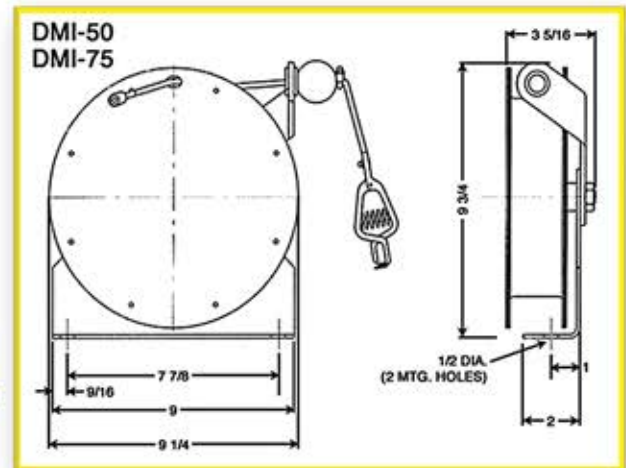
Storage Temperature Range: -80° F to 160° F

We are an approved source to the U.S. Federal Govt. for the following National Stock Numbers (NSN) which are similar in design & features to the above reel options:

5340-01-269-4423 • 5975-00-976-1035 • 4930-01-356-0940

Cable Clamp and Plug Options

- 100 Amp Mueller Copper Clamp #21C (shown above)
- 100 Amp Mueller 11A Extra Large Clamp
- Military Style Plug MIL-C 83413/4
- Military Style Clamp MIL-C 83413/7



Delmaco Manufacturing, Inc.

21424 Cedar Creek Ave.
Georgetown, DE 19947-6305

sales@delmacomfg.com
www.delmacomfg.com
phone: 302-521-8888
fax: 302-856-6347